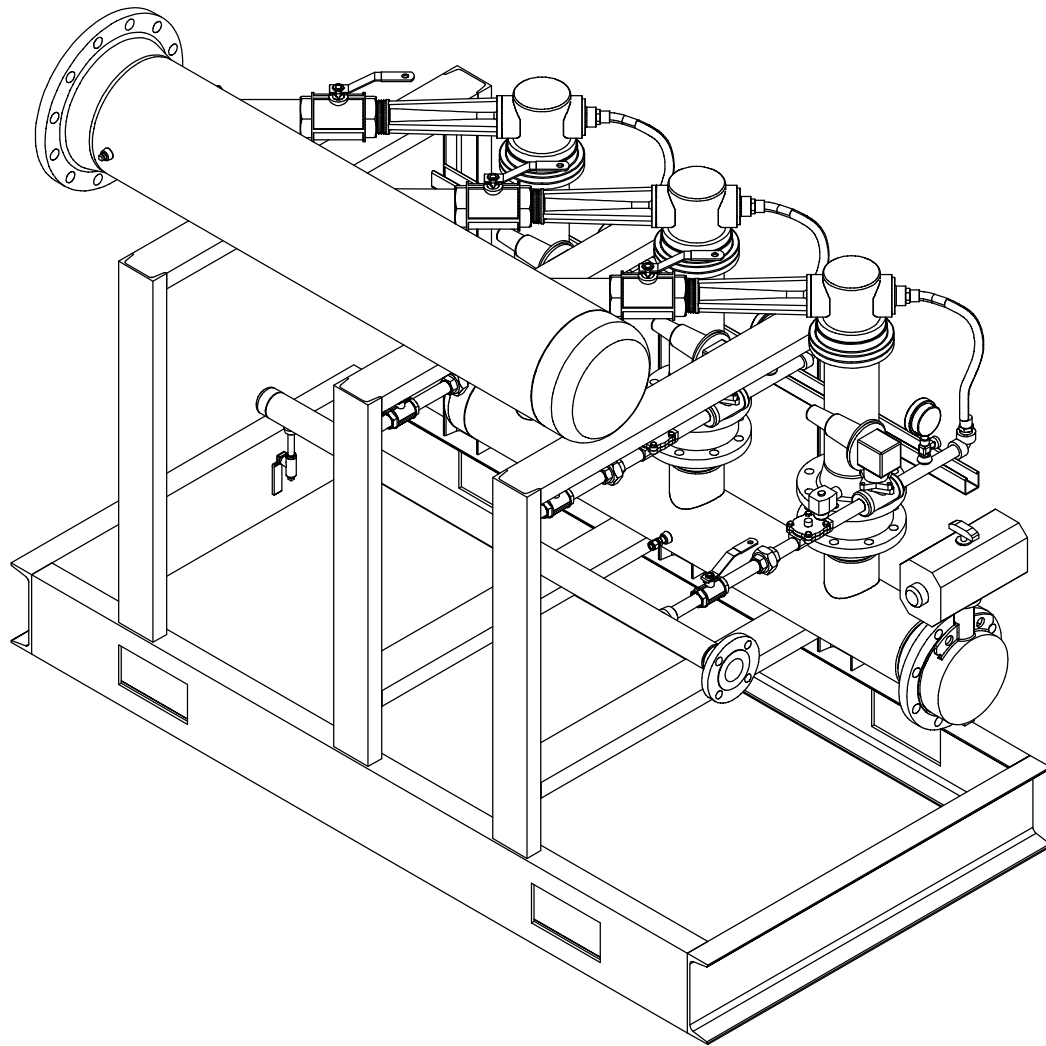


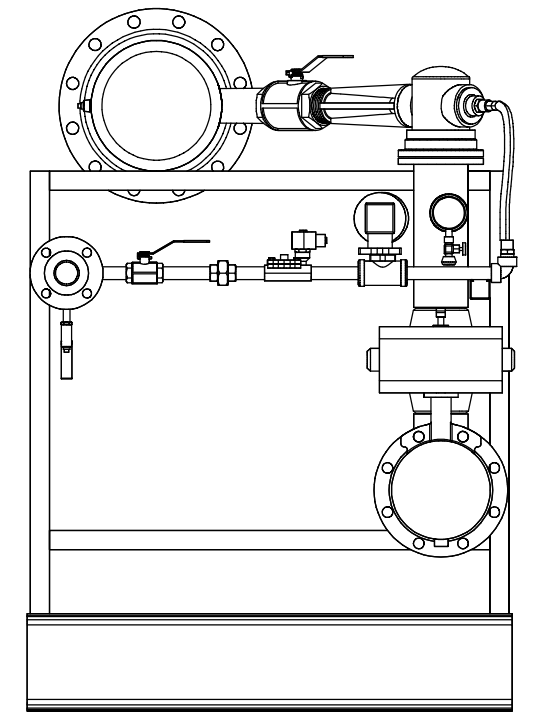
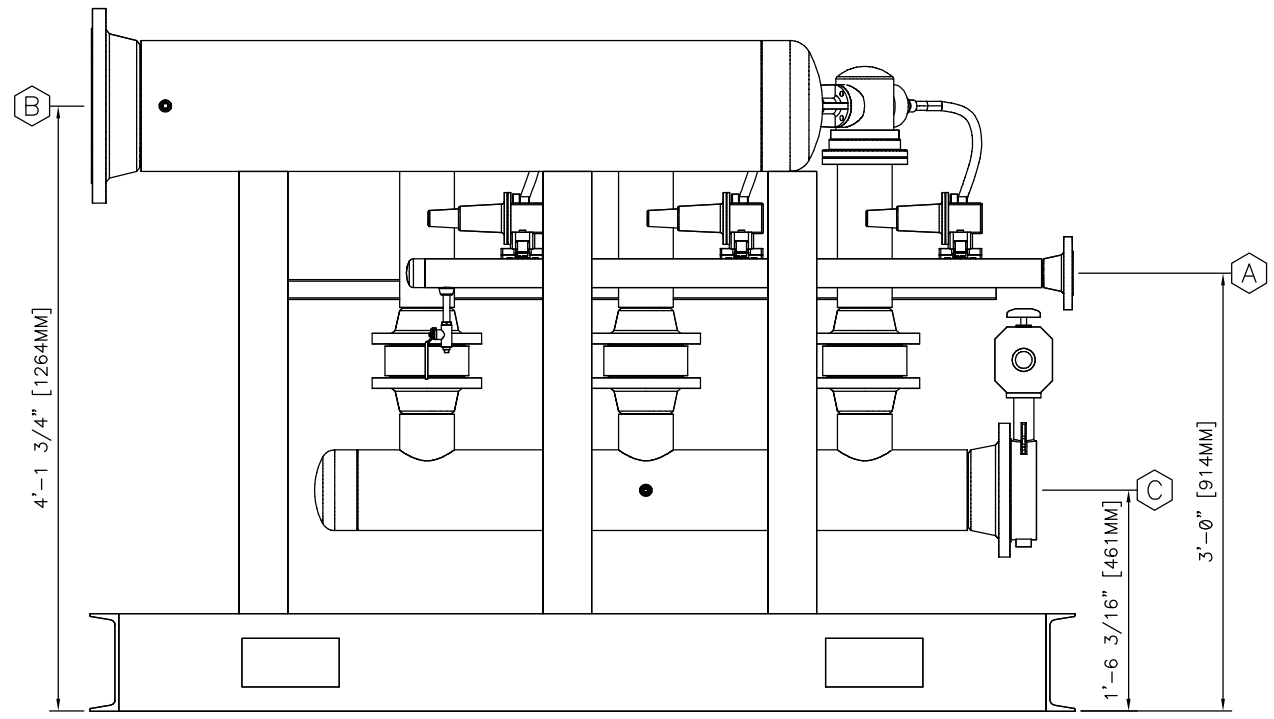
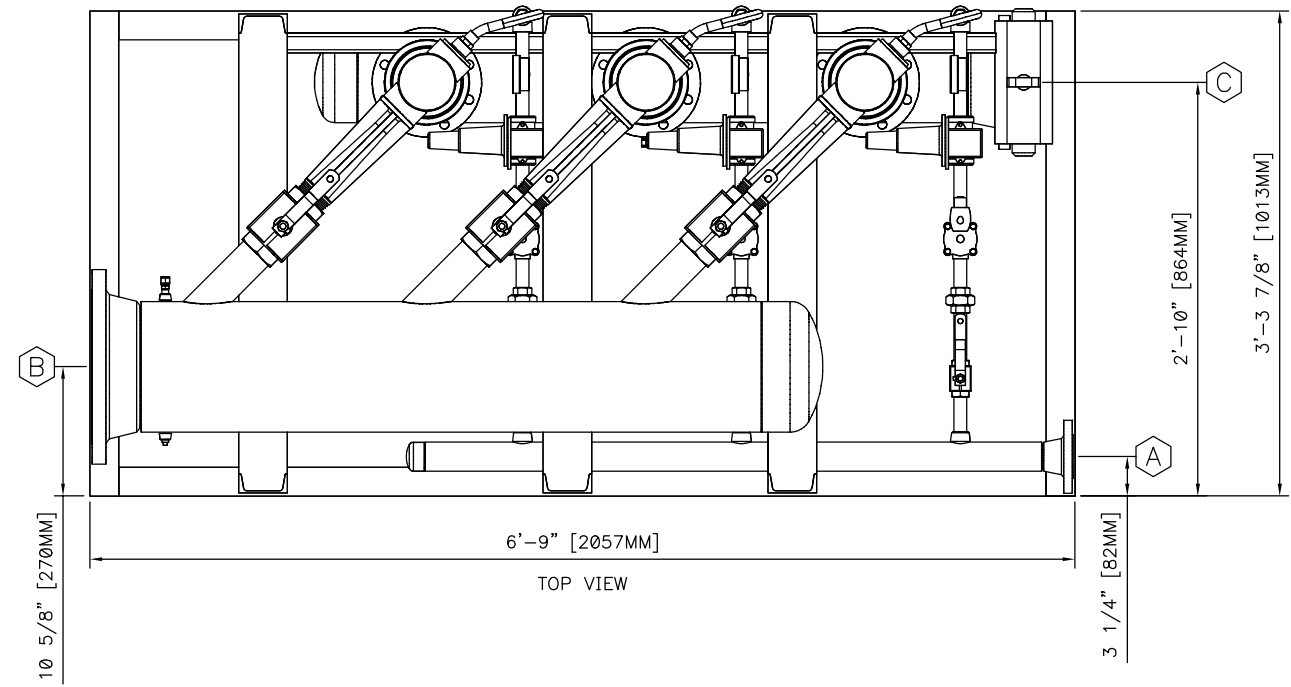
PRELIMINARY



ISOMETRIC VIEW

NOZZLE LEGEND

- (A)** LPG VAPOR INLET, 2" 300# RF FLANGE
- (B)** SNG OUTLET, 10" 150# RF FLANGE
- (C)** AIR INLET, 6" 150# RF FLANGE



SIDE ELEVATION VIEW

END ELEVATION VIEW

F:\EEI_Engineering\STD Equipment\50000 Series\50535.DWG, Dec 10, 2004 - 12:35am

REVISIONS	

THIS DRAWING IS THE PROPERTY OF ELY ENERGY INCORPORATED, TULSA, OKLAHOMA AND IS NOT TO BE REPRODUCED, CHANGED, OR COPIED IN ANY FORM OR MANNER WITHOUT PRIOR WRITTEN PERMISSION OF ELY ENERGY INCORPORATED. ALL RIGHTS RESERVED.

IF THIS SHEET'S BORDER IS LESS THAN (10.5" X 16.5") IT IS A REDUCED PRINT. SCALE REDUCED ACCORDINGLY

Ely Energy
ENERGY SPECIALIST SINCE 1970

11385 E. 60TH PL. SOUTH
TULSA, OKLAHOMA 74146
PHONE (918) 250-6601
www.elyenergy.com

DRAWING DESCRIPTION	CUSTOMER / LOCATION
MOD-AIRE MA468-3-42 GENERAL ARRANGEMENT	

SCALE:	3/4" = 1'-0"
DATE:	04-05-2004
DRAWN BY:	JWG
CHKD. BY:	
APPROVED:	

JOB#	
SHT#	C1
DWG#	50535